

STRUCTURE Silicon Monolithic Integrated Circuit

PRODUCT NAME BU9718KV

FUNCTION 96 Segment Driver

FEATURE

- Up to 32 segment outputs and 3 common outputs can be displayed, for a total of 96 segments.
- 1/3 duty display
- Each 1/2 or 1/3 can be selected for power supply for LCD display.

○ **ABSOLUTE MAXIMUM RATINGS** ($T_a=25^{\circ}\text{C}$, $V_{SS}=0\text{V}$)

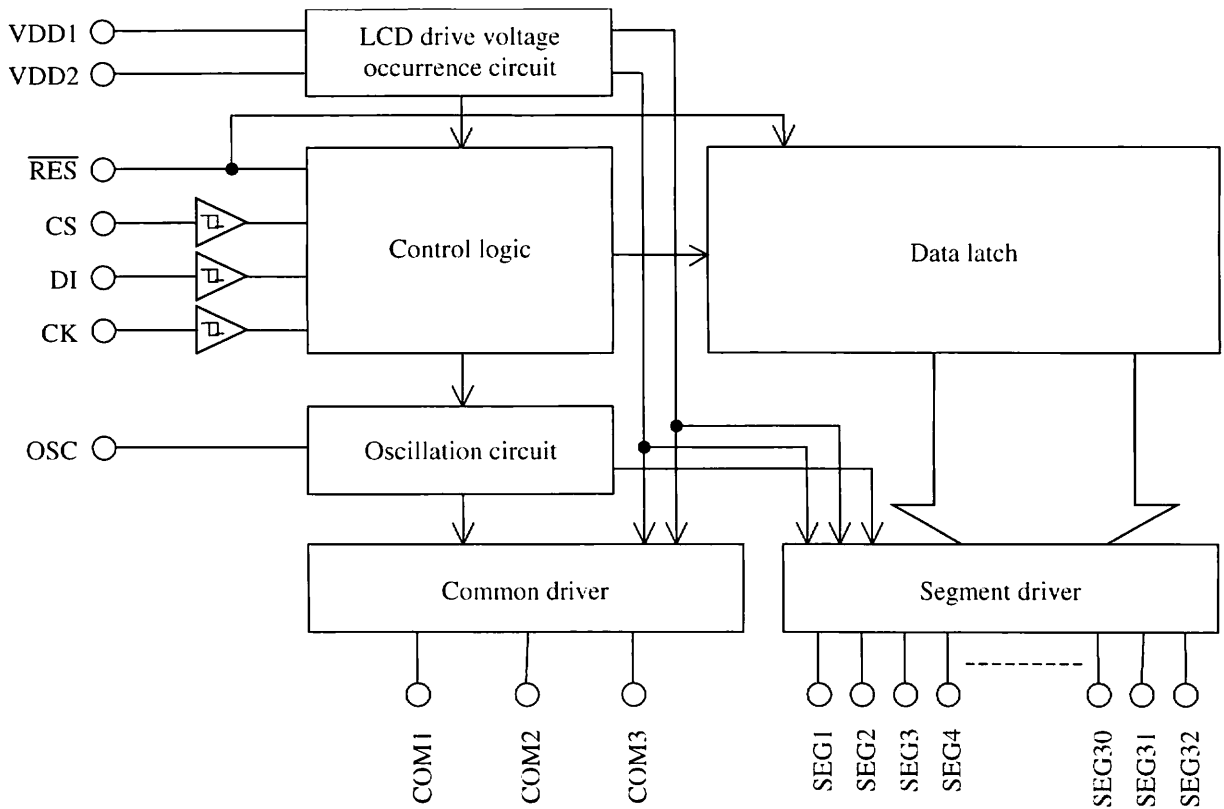
Parameter	Symbol	Terminal	Limits	Unit
Maximum power supply voltage	VDD	VDD	-0.3~+7.0	V
Input voltage	VIN	OSC, CS, CK, DI, $\overline{\text{RES}}$	-0.3~VDD+0.3	V
Output voltage	VOUT	OSC	-0.3~VDD+0.3	V
Output current	ISO	S1~S32	300	mA
	ICO	COM1~COM3	3	mA
Power dissipation	Pd	-	400 ^{*1}	mW
Surrounding temperature Range	Tstg	-	-55~+125	°C

*1: Power dissipation is done at 4.0mW/°C for operation above $T_a \geq 25^{\circ}\text{C}$.

○ **RECOMMENDED OPERATING RANGE** ($T_a=25^{\circ}\text{C}$, $V_{SS}=0\text{V}$)

Parameter	Symbol	Terminal	Min.	Typ.	Max.	Unit
Power supply voltage	VDD	VDD	+2.7		+3.5	V
Input voltage	VDD1	VDD1	0	2/3VDD	VDD	V
	VDD2	VDD2	0	1/3VDD	VDD	V
External Input wave frequency	fOSC	OSC	-	38	100	kHz
Recommended external resistor	R	OSC	-	47	-	kΩ
Recommended external capacitor	C	OSC	-	1000	-	pF
Operating Temperature	Topr	—	-40	-	+85	°C

○ BLOCK DIAGRAM



○ ELECTRICAL CHARACTERISTICS

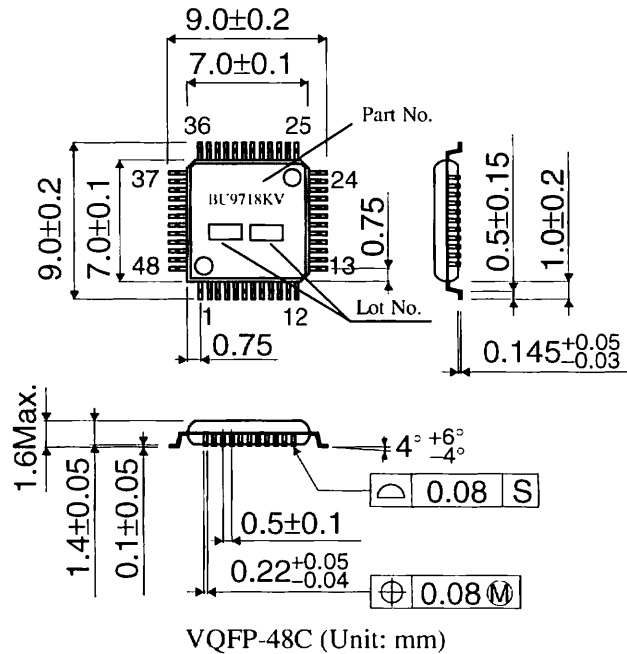
DC CHARACTERISTICS (Unless Otherwise Specified VDD=2.75~3.5V, VSS=0V, Ta=25°C)

Parameter	Symbol	Terminal	Condition	Min.	Typ.	Max.	Unit
“H” Input Voltage	V _{IH}	CS, CK, DI, $\overline{\text{RES}}$		0.8V _D D	-	V _D D	V
“L” Input Voltage	V _{IL}	CS, CK, DI, $\overline{\text{RES}}$		0	-	0.2V _D D	V
“H” Input Current	I _{IH}	CS, CK, DI, $\overline{\text{RES}}$	V _I =V _D D	0	-	6.0	μA
“L” Input Current	I _{IL}	CS, CK, DI, $\overline{\text{RES}}$	V _I =V _S S	0	-	6.0	μA
“H” Output Voltage	V _{SOH}	S1~S32	I _O =-20mA	-	V _D D-1.0	-	V
	V _{COH}	COM1~COM3	I _O =-100mA	-	V _D D-1.0	-	V
“H” Output Voltage	V _{SOL}	S1~S32	I _O =20mA	-	1.0	-	V
	V _{COL}	COM1~COM3	I _O =100mA	-	1.0	-	V
Center-Level Output Voltage	V _{CM1}	COM1~COM3	1/2bias	-	1/2V _D D	-	V
	V _{SM1}	S1~S32	1/3bias	-	2/3V _D D	-	V
	V _{CM2}	COM1~COM3	1/3bias	-	2/3V _D D	-	V
	V _{SM2}	S1~S32	1/3bias	-	1/3V _D D	-	V
	V _{CM3}	COM1~COM3	1/3bias	-	1/3V _D D	-	V
Power supply electric current	I _Q		Low-power Mode	-	30	70	μA
	I _{DD}		f _{OSC} =38kHz	-	200	500	μA

AC CHARACTERISTICS (Unless Otherwise Specified VDD=2.7V~3.5V、Ta=25°C)

Parameter	Symbol	Terminal	Min.	Typ.	Max.	Unit	Condition
Oscillator frequency guaranteed range	fOSC	OSC	10	38	80	kHz	R=47k Ω,C=1000pF
Oscillation guarantee range	fOSC	OSC	-	-	100	kHz	External Inputs
Data set up time	tDS	CK, DI	200	-	-	ns	
Data hold time	tDH	CK, DI	200	-	-	ns	
CS setup time	tCS	CS, CK	200	-	-	ns	
CS hold time	tCH	CS, CK	200	-	-	ns	
"H" CK pulse width	tCKH	CK	200	-	-	ns	
"L" CK pulse width	tCKL	CK	200	-	-	ns	
Rise Time	tr	CS, CK, DI	-	-	100	ns	
Fall Time	tf	CS, CK, DI	-	-	100	ns	

○ Contour dimension figure, marking



○ Terminal number, terminal name

Terminal No.	Terminal name	Terminal No.	Terminal name	Terminal No.	Terminal name	Terminal No.	Terminal name
1	S1	13	S12	25	N.C.	37	COM2
2	S2	14	S13	26	S23	38	COM3
3	S3	15	S14	27	S24	39	$\overline{\text{RES}}$
4	S4	16	S15	28	S25	40	VDD
5	S5	17	S16	29	S26	41	VDD1
6	S6	18	S17	30	S27	42	VDD2
7	S7	19	S18	31	S28	43	VSS
8	S8	20	S19	32	S29	44	OSC
9	S9	21	S20	33	S30	45	CS
10	S8	22	S21	34	S31	46	CK
11	S9	23	S22	35	S32	47	DI
12	N.C.	24	N.C.	36	COM1	48	N.C.

○ Cautions on use

- (1) Absolute Maximum Ratings
An excess in the absolute maximum ratings, such as supply voltage, temperature range of operating conditions, etc., can break down devices, thus making impossible to identify breaking mode such as a short circuit or an open circuit. If any special mode exceeding the absolute maximum ratings is assumed, consideration should be given to take physical safety measures including the use of fuses, etc.
- (2) Operating conditions
These conditions represent a range within which characteristics can be provided approximately as expected. The electrical characteristics are guaranteed under the conditions of each parameter.
- (3) Reverse connection of power supply connector
The reverse connection of power supply connector can break down ICs. Take protective measures against the breakdown due to the reverse connection, such as mounting an external diode between the power supply and the IC's power supply terminal.
- (4) Power supply line
Design PCB pattern to provide low impedance for the wiring between the power supply and the GND lines. In this regard, for the digital block power supply and the analog block power supply, even though these power supplies has the same level of potential, separate the power supply pattern for the digital block from that for the analog block, thus suppressing the diffraction of digital noises to the analog block power supply resulting from impedance common to the wiring patterns. For the GND line, give consideration to design the patterns in a similar manner.
Furthermore, for all power supply terminals to ICs, mount a capacitor between the power supply and the GND terminal. At the same time, in order to use an electrolytic capacitor, thoroughly check to be sure the characteristics of the capacitor to be used present no problem including the occurrence of capacity dropout at a low temperature, thus determining the constant.
- (5) GND voltage
Make setting of the potential of the GND terminal so that it will be maintained at the minimum in any operating state.
Furthermore, check to be sure no terminals are at a potential lower than the GND voltage including an actual electric transient.
- (6) Short circuit between terminals and erroneous mounting
In order to mount ICs on a set PCB, pay thorough attention to the direction and offset of the ICs. Erroneous mounting can break down the ICs. Furthermore, if a short circuit occurs due to foreign matters entering between terminals or between the terminal and the power supply or the GND terminal, the ICs can break down.
- (7) Operation in strong electromagnetic field
Be noted that using ICs in the strong electromagnetic field can malfunction them.
- (8) Inspection with set PCB
On the inspection with the set PCB, if a capacitor is connected to a low-impedance IC terminal, the IC can suffer stress.
Therefore, be sure to discharge from the set PCB by each process. Furthermore, in order to mount or dismount the set PCB to/from the jig for the inspection process, be sure to turn OFF the power supply and then mount the set PCB to the jig. After the completion of the inspection, be sure to turn OFF the power supply and then dismount it from the jig. In addition, for protection against static electricity, establish a ground for the assembly process and pay thorough attention to the transportation and the storage of the set PCB.
- (9) Input terminals
In terms of the construction of IC, parasitic elements are inevitably formed in relation to potential. The operation of the parasitic element can cause interference with circuit operation, thus resulting in a malfunction and then breakdown of the input terminal. Therefore, pay thorough attention not to handle the input terminals, such as to apply to the input terminals a voltage lower than the GND respectively, so that any parasitic element will operate. Furthermore, do not apply a voltage to the input terminals when no power supply voltage is applied to the IC. In addition, even if the power supply voltage is applied, apply to the input terminals a voltage lower than the power supply voltage or within the guaranteed value of electrical characteristics.
- (10) Ground wiring pattern
If small-signal GND and large-current GND are provided, It will be recommended to separate the large-current GND pattern from the small-signal GND pattern and establish a single ground at the reference point of the set PCB so that resistance to the wiring pattern and voltage fluctuations due to a large current will cause no fluctuations in voltages of the small-signal GND. Pay attention not to cause fluctuations in the GND wiring pattern of external parts as well.
- (11) External capacitor
In order to use a ceramic capacitor as the external capacitor, determine the constant with consideration given to a degradation in the nominal capacitance due to DC bias and changes in the capacitance due to temperature, etc.
- (12) No Connecting input terminals
In terms of extremely high impedance of CMOS gate, to open the input terminals causes unstable state. And unstable state brings the inside gate voltage of p-channel or n-channel transistor into active. As a result, battery current may increase. And unstable state can also causes unexpected operation of IC. So unless otherwise specified, input terminals not being used should be connected to the power supply or GND line.

Notes

- No technical content pages of this document may be reproduced in any form or transmitted by any means without prior permission of ROHM CO.,LTD.
- The contents described herein are subject to change without notice. The specifications for the product described in this document are for reference only. Upon actual use, therefore, please request that specifications to be separately delivered.
- Application circuit diagrams and circuit constants contained herein are shown as examples of standard use and operation. Please pay careful attention to the peripheral conditions when designing circuits and deciding upon circuit constants in the set.
- Any data, including, but not limited to application circuit diagrams information, described herein are intended only as illustrations of such devices and not as the specifications for such devices. ROHM CO.,LTD. disclaims any warranty that any use of such devices shall be free from infringement of any third party's intellectual property rights or other proprietary rights, and further, assumes no liability of whatsoever nature in the event of any such infringement, or arising from or connected with or related to the use of such devices.
- Upon the sale of any such devices, other than for buyer's right to use such devices itself, resell or otherwise dispose of the same, no express or implied right or license to practice or commercially exploit any intellectual property rights or other proprietary rights owned or controlled by
- ROHM CO., LTD. is granted to any such buyer.
- Products listed in this document are no antiradiation design.

The products listed in this document are designed to be used with ordinary electronic equipment or devices (such as audio visual equipment, office-automation equipment, communications devices, electrical appliances and electronic toys).

Should you intend to use these products with equipment or devices which require an extremely high level of reliability and the malfunction of which would directly endanger human life (such as medical instruments, transportation equipment, aerospace machinery, nuclear-reactor controllers, fuel controllers and other safety devices), please be sure to consult with our sales representative in advance.

About Export Control Order in Japan

Products described herein are the objects of controlled goods in Annex 1 (Item 16) of Export Trade Control Order in Japan.

In case of export from Japan, please confirm if it applies to "objective" criteria or an "informed" (by MITI clause) on the basis of "catch all controls for Non-Proliferation of Weapons of Mass Destruction.

Thank you for your accessing to ROHM product informations.
More detail product informations and catalogs are available,
please contact your nearest sales office.

Please contact our sales offices for details ;

U.S.A / San Diego	TEL : +1(858)625-3630	FAX : +1(858)625-3670
Atlanta	TEL : +1(770)754-5972	FAX : +1(770)754-0691
Dallas	TEL : +1(972)312-8818	FAX : +1(972)312-0330
Germany / Dusseldorf	TEL : +49(2154)9210	FAX : +49(2154)921400
United Kingdom / London	TEL : +44(1)908-282-666	FAX : +44(1)908-282-528
France / Paris	TEL : +33(0)1 56 97 30 60	FAX : +33(0) 1 56 97 30 80
China / Hong Kong	TEL : +852(2)740-6262	FAX : +852(2)375-8971
Shanghai	TEL : +86(21)6279-2727	FAX : +86(21)6247-2066
Dilian	TEL : +86(411)8230-8549	FAX : +86(411)8230-8537
Beijing	TEL : +86(10)8525-2483	FAX : +86(10)8525-2489
Taiwan / Taipei	TEL : +866(2)2500-6956	FAX : +866(2)2503-2869
Korea / Seoul	TEL : +82(2)8182-700	FAX : +82(2)8182-715
Singapore	TEL : +65-6332-2322	FAX : +65-6332-5662
Malaysia / Kuala Lumpur	TEL : +60(3)7958-8355	FAX : +60(3)7958-8377
Philippines / Manila	TEL : +63(2)807-6872	FAX : +63(2)809-1422
Thailand / Bangkok	TEL : +66(2)254-4890	FAX : +66(2)256-6334

Japan /
(Internal Sales)

Tokyo	2-1-1, Yaesu, Chuo-ku, Tokyo 104-0082	TEL : +81(3)5203-0321	FAX : +81(3)5203-0300
Yokohama	2-4-8, Shin Yokohama, Kohoku-ku, Yokohama, Kanagawa 222-8575	TEL : +81(45)476-2131	FAX : +81(45)476-2128
Nagoya	Dainagayo Building 9F 3-28-12, Meieki, Nakamura-ku, Nagoya, Aichi 450-0002	TEL : +81(52)581-8521	FAX : +81(52)561-2173
Kyoto	579-32 Higashi Shiokouji-cho, Karasuma Nishi-iru, Shiokoujidori, Shimogyo-ku, Kyoto 600-8216	TEL : +81(75)311-2121	FAX : +81(75)314-6559

(Contact address for overseas customers in Japan)

Yokohama	TEL : +81(45)476-9270	FAX : +81(045)476-9271
----------	-----------------------	------------------------